

Electronics Installation

For Shelf Light and Console Lights

For Grill Models VCS4007, VCS4017, VCS4027, VCS4037, VCS5007, VCS5017, VCS5027, VCS5037

Caution: Surfaces of the light assembly may become hot when the BBQ is in use, regardless of whether the light is extended or retracted.

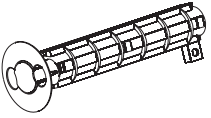

Note: A flat head screwdriver may be necessary to remove the light or to disconnect the wire harness during installation.

This installation will be divided into two (2) parts, (1) the Shelf Light Assembly and (2) Console Back Lights. Each part will have its own steps labeled 1, 2, 3... and so on.

Part 1: Shelf Light Assembly

Step 1: Unpack the Carton & Verify the Contents

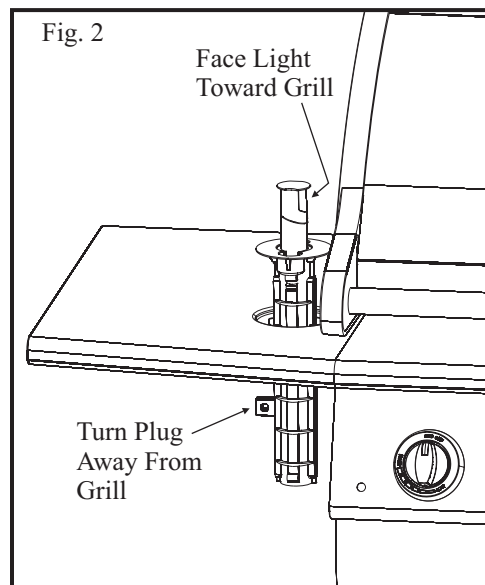
Open the carton labeled “Shelf Light #50003669” and remove the contents. The kit should contain one of each of the components shown at the right:

Shelf Light 50003668	
Retaining Ring 50003336	
Instructions 50003699	

Batteries Not Included

Step 2: Install the Shelf Light

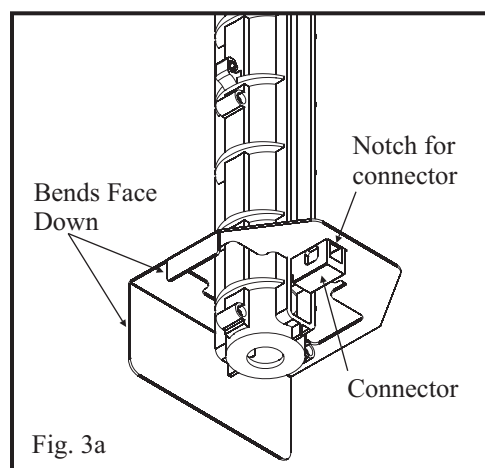
Insert the Shelf Light into the cross-shaped hole in the Left Shelf. Make sure the light inside the clear plastic top is pointed towards the grill and the wire harness connection point is facing away from the Grill Body as shown in Fig. 2.



Step 3: Install the Retaining Ring

Note: Before installing the retaining ring, make sure the light is pushed all the way down.

Align the notch on the retaining ring with the connector on the shelf light assembly; make sure the bends are facing down toward the ground. (Fig. 3a)

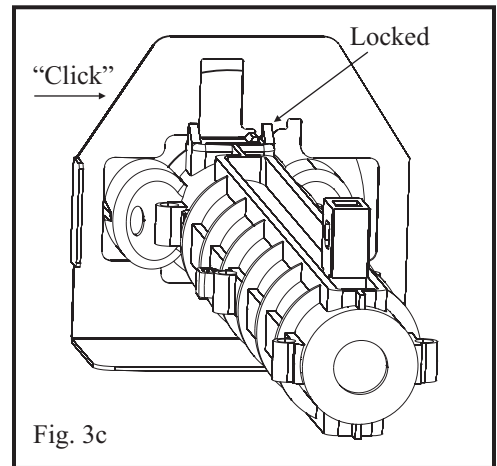
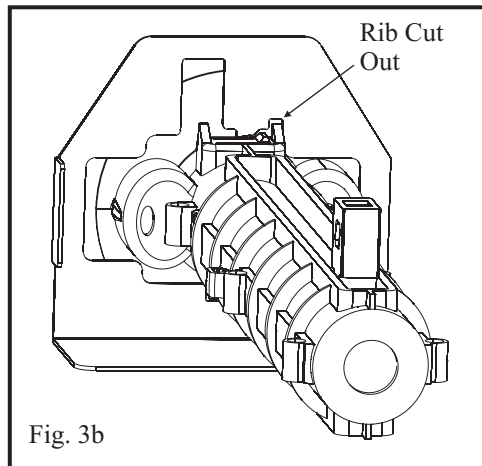


Electronics Installation

For Shelf Light and Console Lights

Next: Slide the Retaining Ring up the outer shell of the Shelf Light until it is flush with the underside of the shelf. Make sure the rib cut-outs in the ring are aligned with the ribs on the outer shell of the light (the locking feature on the ring should match the locking feature on the light). (Fig. 3b)

Once everything is aligned and in place, slide the ring towards the front of the Grill (slide right) to lock the ring in place. You will hear a “click” indicating the ring is locked and securely fastened. (Fig. 3c)



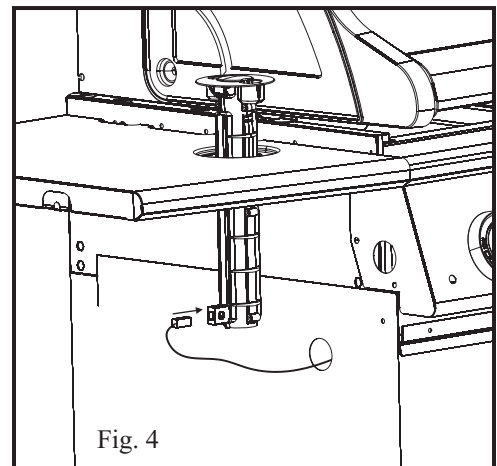
Service Note: If at any time the Shelf Light needs to be removed, simply slide the ring towards the back of the Grill (to the left) to unlock it from its secured position. If you experience any difficulty, use a flat-head screwdriver to depress the locking feature on the light while sliding the ring towards the back of the Grill. Once the ring is unlocked, slide it back down the outer shell of the light and then the entire light assembly can be easily removed.

Step 4: Attach the Wire Connector to the Shelf Light

On the outer left side of the cabinet you will see a wire with a connector on the tip. Take the wire by its connector and plug it into the connection point on the Shelf Light.

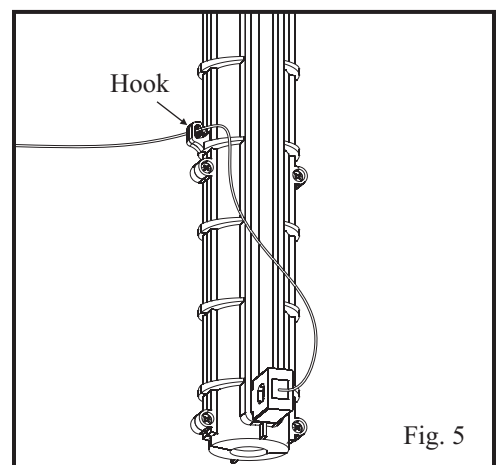
Note: The connector can only be inserted one way.

Service Note: If at any time the Shelf Light needs to be removed, you must detach the connector from the Shelf Light before attempting to remove the light. The only way to detach the wire connector is to depress the locking tab using a small screwdriver or the tip of a pen to push down on the tab while pulling the connector out.



Step 5: Hiding the Wire from View

There is a small hook located about half way up the outer shell of the Shelf Light. Grab the middle of the wire and place it onto the hook to keep the wire from sagging into view. The Shelf Light should still be able to extend and retract freely once the wire is in place.



Electronics Installation

For Shelf Light and Console Lights

Step 6: Operating Instructions

To activate the light, simply extend it by grasping the clear cap where the finger cut-outs are located and pulling upward until it is fully extended and snaps into the “hold open” position. To turn the light on and off, press the (top) push button switch located on the console labeled “Cook Light”. To retract the light, firmly press down on the clear cap until it is completely retracted and flush with the shelf surface.

Note: Light will not work until batteries are installed (see Part 2, Step 1)

Caution: The surfaces of the light may become hot while the barbecue is in use, whether the light is extended or retracted.

Note: For optimum battery life and to avoid damage to the light, we recommend you retract and turn off the light when not in use. Please also refer to the battery manufacturer's notes and recommendations as they offer advice on the safe handling, usage and disposal of their products.

Part 2: Console Back Lights

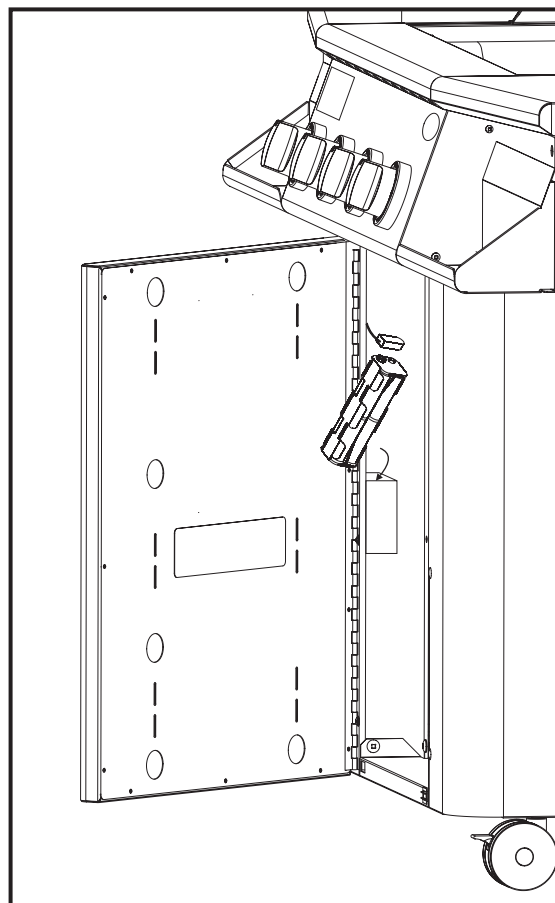
Step 1: Battery Installation (batteries not included)

Open the cabinet door below the Grill Body and locate the battery case on left side of the opening. Remove the Battery Case from the Battery Shroud and unclip the wire harness. Insert eight (8) “AA” batteries as shown on the battery case. Reattach the wire harness to the Battery Case and reinsert it into the Battery Shroud.

Step 2: Operating Instructions

To turn the lights on and off, press the “Back Light” button located on the console.

Note: For optimum battery life and to avoid damage to the lights, we recommend you turn off the lights when the BBQ is not in use. Please also refer to the battery manufacturer's notes and recommendations as they offer advice on the safe handling, usage and disposal of their products.



Electronics Installation

For Shelf Light and Console Lights

Replacement Parts:

50003286 - Battery Shroud (Console Lights)

50003110 - Battery Case (8'AA')

50003984 - Knob STL Assembly Gray

50003002 - Back Light Bezel Assembly

50003849 - Wire Harness Console Back Lights (VCS4007, VCS4017, VCS4027, VCS4037)

50003850 - Wire Harness Console Back Lights (VCS5007, VCS5017, VCS5027, VCS5037)

50003668 - Shelf Light Assembly

50003336 - Retaining Shelf Light



CFM Corporation
410 Admiral Boulevard
Mississauga, Ontario L5T 2N6 Canada
(800) 668-5323

www.cfmcorp.com

Service Note: If you are experiencing difficulties or are dissatisfied with your purchase, please contact CFM at the telephone number listed above prior to returning your grill to the store.