

ROTISSERIE SETUP

For all 3-Burner and 4-Burner Vermont Castings Models

1. Attach the Rotisserie Motor Bracket to the left side of the base by aligning the holes and securing the pieces together using the two bolts and two lock nuts provided. The mounting flange extends through the center slot of the side shelf. (see Fig.1)

2. Remove the Warming Rack. Lay a pan directly on the cooking grates to catch drippings. Large items may require that you remove the cooking grates and place the pan on the sear plates.

3. Insert the ends of the Rotisserie Support into the slots of the right cooking grate, so that the right edge of the support is approximately 1 inch [2.5cm] from the right casting (10 inches [25cm] on 6-burner models), and the top groove of the support is in line with the rotisserie spit hole in the left casting. (see Fig. 2)

4. Engage the Rotisserie Motor in the Motor Bracket.

5. Assemble the Spit and Meat Forks. Adjust the retainer bushing to keep the spit in place. Tighten thumbscrews with small pliers.

6. Insert the Spit Rod into the Rotisserie Motor. (see Fig. 4)

- **Do not use the rotisserie motor in the rain or if it is wet.**
- **Always use a grounded three-prong extension cord and outlet with the rotisserie motor. Do not alter or remove the grounding prong on the rotisserie power cord.**
- **The rotisserie motor is rated to turn a maximum load of 12 lbs.**
- **Keep any electrical supply cord and the fuel supply hose away from any heated surfaces.**

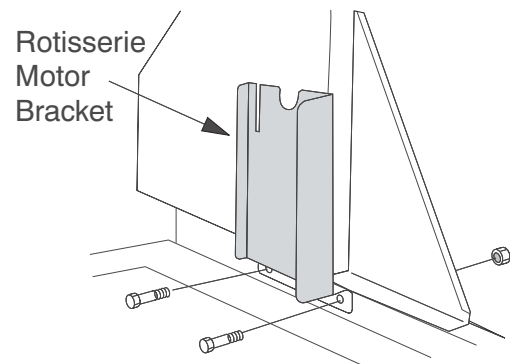


Fig. 1

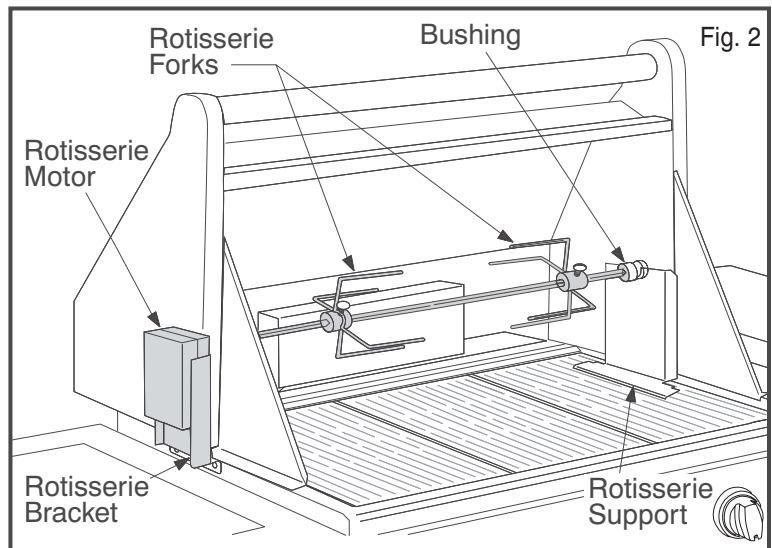


Fig. 2

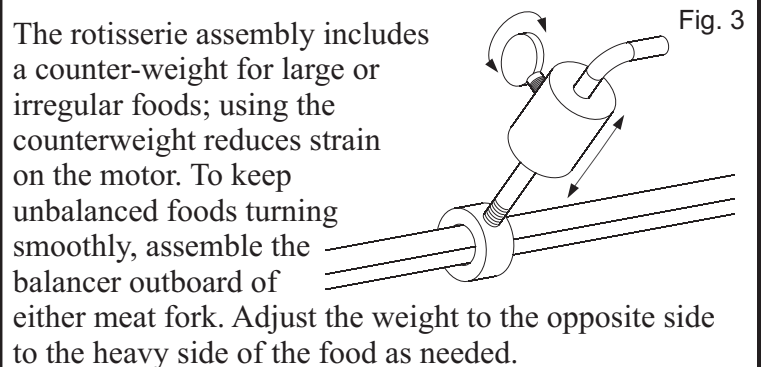


Fig. 3

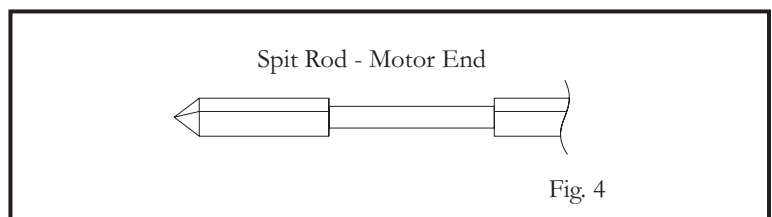


Fig. 4

Service Note: If you are experiencing difficulties or are dissatisfied with your purchase, please contact CFM at the telephone number listed prior to returning your grill to the store.



CFM Corporation
410 Admiral Boulevard
Mississauga, Ontario L5T 2N6 Canada
(800) 668-5323 www.cfmcorp.com

50003662 11/06 Rev 1